

A99

The A99 features the Solarcon Twin Ring Adjust-A-Match tuning making it possible to tune the input to the antenna and obtain the optimum S.W.R. over a range of frequencies. Raising the rings raises the frequency and lowering the rings lowers the frequency.

U.S. Patent #4,360,814. Canadian Patent # 1,145,456. England Patent #2,046,529. Other patents pending.

Operates 10 thru 17 Meters with Tuner

FIBERGLASS OMNIDIRECTIONAL BASE STATION ANTENNA

- Covers far above and below the traditional C.B. Channels for export, commercial and 10 meter ham band use, input 2000 watts P.E.P.
- The A99 is a half wave over a quarter wave variable mutual transductance tuned antenna
- Comes in three sections. Easy to assemble
- Entire antenna radiates – 9.9 DBI Gain
- Will ship U.P.S. at regular rate. NOT OVERSIZE (USA)
- Each antenna individually tested
- Meets U.S. Government CPSC shocks hazard standards. Protects up to 14,500 volts
- Lightning protected, D.C. grounded. No lightning arrestor or static discharge unit is needed

**TWIN RING
ADJUST-A-MATCH
TUNING**

MODEL NO.	LENGTH	CONNECTOR	CASE QTY.
A-99	17'4" (528 cm)	SO-239	9
GPK-1	Each Radial 70" (178 cm)	Fits Bottom Sleeve A-99	9

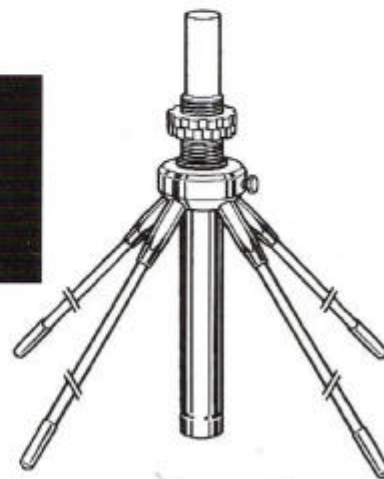


THE SKIP KIT

GPK-1

Groundplane kit for A-99

- Lowers angle of radiation for greater range
- Kit includes 1 collar and 4 fiberglass radials
- U.P.S. shippable at standard rates



WWW.AVERA.EU

SOLARCON
ANTENNA RESEARCH