

MODEL **CF-360**

Duplexer  
for 30MHz / 50MHz

Instruction Manual

Thank you for your purchasing our product.

Model CF-360 is the duplexer for transmitting/receiving all 2 bands of HF-band (30MHz) and VHF&UHF(50MHz,144MHz&430MHz) at the same time. Using one,or two CF-360,you can connect transceivers and antennas by one coaxial cable.

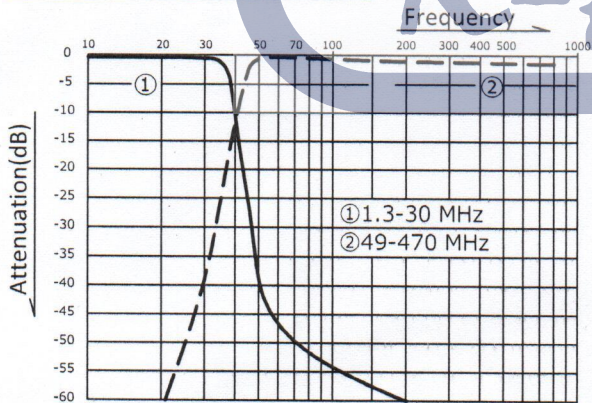
The combined high quality filters of CF-360 work to prevent occurrence of TVI on the othe hand. (Isolation of each connectors are over 45dB.)

When using CF-360 for one frequency, the other connectors can be remain as [open] , but additional dummy load will be much better.

◆ Specifications

- Band pass Frequency & insertion loss  
1.3 ~ 30MHz / 0.2dB or less  
49~470MHz / 0.25dB or less
- Impedance : 50Ω
- VSWR : 1.2 or less
- Max. Input power : 1.3 ~ 30MHz /600W(PEP)  
49 ~ 250MHz /600W(PEP)  
300 ~ 470MHz /500W(PEP)
- Isolation : more than 45dB
- Cable length : approx. 360mm
- Weight : approx.0.3kg
- Connector : refer to below chart in the lower right
- Dimension : 66(W)×90(D)×26(H) [mm]

■ Attenuation & Isolation data



⚠ Note:

- ◆ CF-360 is for mobile and indoor use.  
For outdoor use, sufficient water-proof works is required.

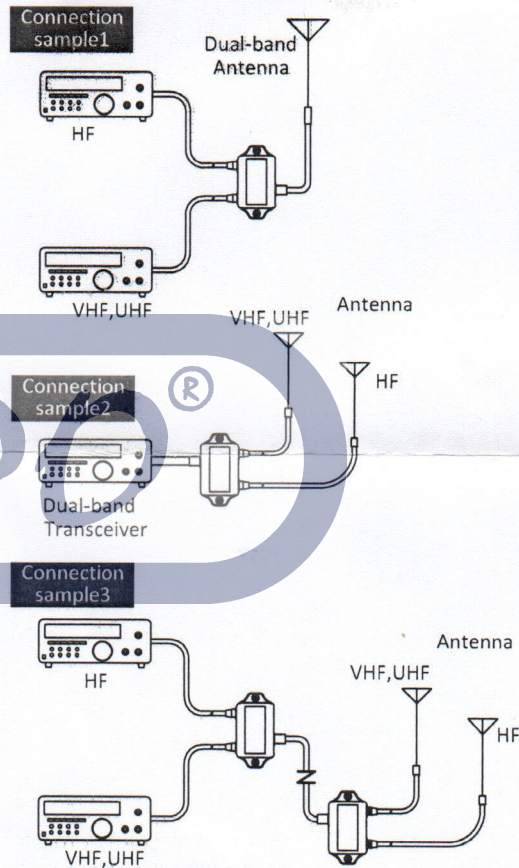
【After-Sales Service】

We provide the replacement parts for the damages by unintentional accidents or for deterioration with long-term use. Please ask the local shop you purchased this product.  
This product is made under the stringent quality control. Should there be any breakage in transit, please do not hesitate to contact the shop you purchased this product.

◆ Appearance and specifications are subject to change without notice.

COMET CO.,LTD.

4-18-2, Tsuji, Minami-ku, Saitama-shi, Saitama-Pref, 336-0026, JAPAN  
TEL : 81-48-839-3131 / FAX : 81-48-839-3136  
URL : <http://www.comet-ant.co.jp/english>



	Type A	Type B
COM	M-J Receptacle	M-P w/ Coax cable
Low	M-P w/ Coax cable	M-J Receptacle
High	M-P w/ Coax cable	M-J Receptacle