



# KPS 50SW

1.	Safety Precautions	pg. 2
2.	Controls, connectors and functions	pg. 3
3.	Technical Specification	pg. 5



## **IMPORTANT**

To ensure maximum performance and safety please follow this manual.  
Please retain the manual for future reference after installation.

## Technical Specifications

<b>Input voltage</b>	220VAC 50Hz
<b>Output voltage</b>	9 - 15V DC regulated or 13.8V DC
<b>Output voltage regulation</b>	< 2%
<b>Protection</b>	Short circuit, automatic current limiting over50A
<b>Output current</b>	50A
<b>Fuse</b>	8A
<b>Meter</b>	Output voltage and current
<b>Dimensions (approx.)</b>	195mm (W) × 85mm (H) × 280mm (D)
<b>Weight (approx.)</b>	2. 5Kg

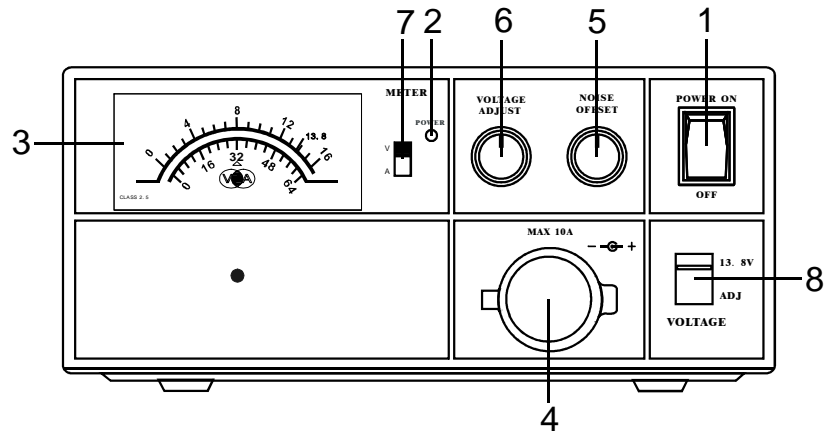
## Safety Precautions



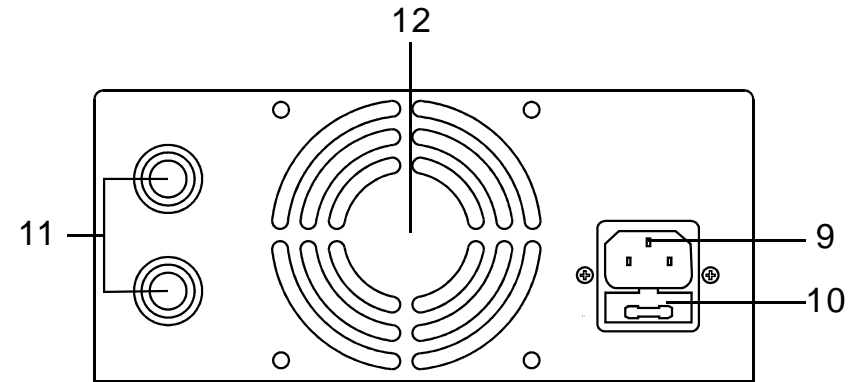
### CAUTION

- This Power Supply has no user servicable parts. Always consult a qualified person for service or repair.
- Do not dismantle, modify or manipulate the interior of the Power Supply , it can produce severe electrical discharge and may invalidate your warranty.
- Always use the on/off power switch on the Power Supply, do not use the mains plug to turn the Power Supply on or off.
- Be careful not to damage the power cable.
- Do not operate this unit with wet hands.
- Always install the Power Supply on a stable surface, in a dry and well ventilated area.
- Do not cover or obstruct with the cooling fan on the back of the Power Supply .
- The power supply may become hot during normal usage. Take the necessary precautions to prevent fire.
- This Power Supply incorporates a current limiting system which will protect the unit from overloading.
- The Power Supply has protection DC exit a short circuit protection function. If a short circuit occurs at the DC output, immediately turn off the switch power of the Power Supply and repair the cause that produces the short circuit.
- Even though the chassis of the Power Supply is negatively grounded, use correct terminals to connect cable.
- Do not use this Power Supply for devices that require high current input at the start e.g. motorized equipment.
- Do not use this Power Supply to charge a car battery.
- Do not use a car cigarette lighter in the cigarette plug socket on the Power Supply.
- Before replacing the fuse of the Power Supply, make sure that the Power Supply is off and disconnected from the mains power and substitute it for another fuse of the same type.
- Always connect the Power Supply to a 220 V AC grounded wall plug to prevent electric shock and to reduce the electric noise in the communications equipment.
- If during normal operation of the Power Supply there is a smell of burning or smoke turn off it immediately and disconnect it from the mains. Consult a qualified person for service or repair.
- Do not put any object in the ventilation holes or the connectors of the Power Supply .
- When not using the car cigarette lighter socket, keep it protected with the cover protector that is included with the Power Supply.
- Do not expose the Power Supply to water, moisture, intense vibration, flammable materials or any other dangerous conditions.
- Do not use the Power Supply in atmospheres with fire risk or risk of explosion.
- Do not expose the Power Supply to direct sunlight.
- To clean the Power Supply, ensure it is turned Off and disconnected from the mains. Clean with a damp (not wet) cloth.
- Do not clean directly with any liquid and never use cleaning polish, detergents, alcohol or solvent.
- Do not clean with a dry cloth, it could cause a severe static shock or fire.
- The use of this Power Supply is the exclusive responsibility of the proprietor.
- Never allow children to operate the Power Supply.

## Controls, Connectors and Functions



## Controls, Connectors and Functions



1	<b>Power switch</b>	Turns the Power Supply (on) and (off).
2	<b>Power indicator</b>	Illuminates when the Power Supply is turned on.
3	<b>Meter</b>	Displays the supply voltage (V) and current (A).
4	<b>Cigarette plug terminal</b>	10A (max.).
5	<b>Noise offset control</b>	Adjust to eliminate the pulse noise of the switching circuit. This patent pending function is specially designed for communication equipment use. Its effectiveness may vary depending on the frequency and mode.
6	<b>Voltage adjustment</b>	Adjust voltage between 9V DC and 15V DC. Turn clockwise to increase voltage and counter clockwise to decrease voltage.
7	<b>Meter switch</b>	Select the position to indicate voltage (V) or current (A)
8	<b>Output control switch</b>	Turn this switch to the adjust position and adjust Ⓢ to the desired output level. / Fixed output 13.8V.

9	<b>Grounding Power cable</b>	220VAC 50Hz
10	<b>Fuse</b>	8A
11	<b>DC Output terminal</b>	Red cable connects to positive (+) and black cable connects to negative (-).
12	<b>Cooling fan</b>	