



26-28 MHz



CB Antenna
Rugged and Strong
Tuning



TECHNICAL SPECIFICATIONS

Antenna Type	CB
Frequency range	26 - 28 MHz
Impedance (Ohms)	50
Polarization	Vertical
Material	Zamac double Chrome
Whip - screws	Stainless Steel
Weight (g)	600 (1000 per K. 5000)
Mounting	Hole 10 mm
Cable	RG 58 4000 mm (RG 8 per K. 5000)

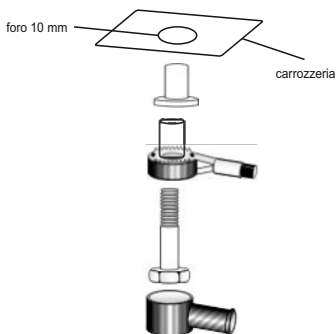
Max Power :

KING 600	600 W
KING 800	1000 W
KING 2000	2000 W
KING 5000	3800 W

Height / Ø :

KING 600	1.25 m / 3mm
KING 800	1.65 m / 3mm
KING 2000	2.00 m / 4mm
KING 5000	2.00 m / 5mm

MOUNTING INSTRUCTION



Proxel si riserva il diritto di modificare le specifiche del prodotto senza alcun preavviso.