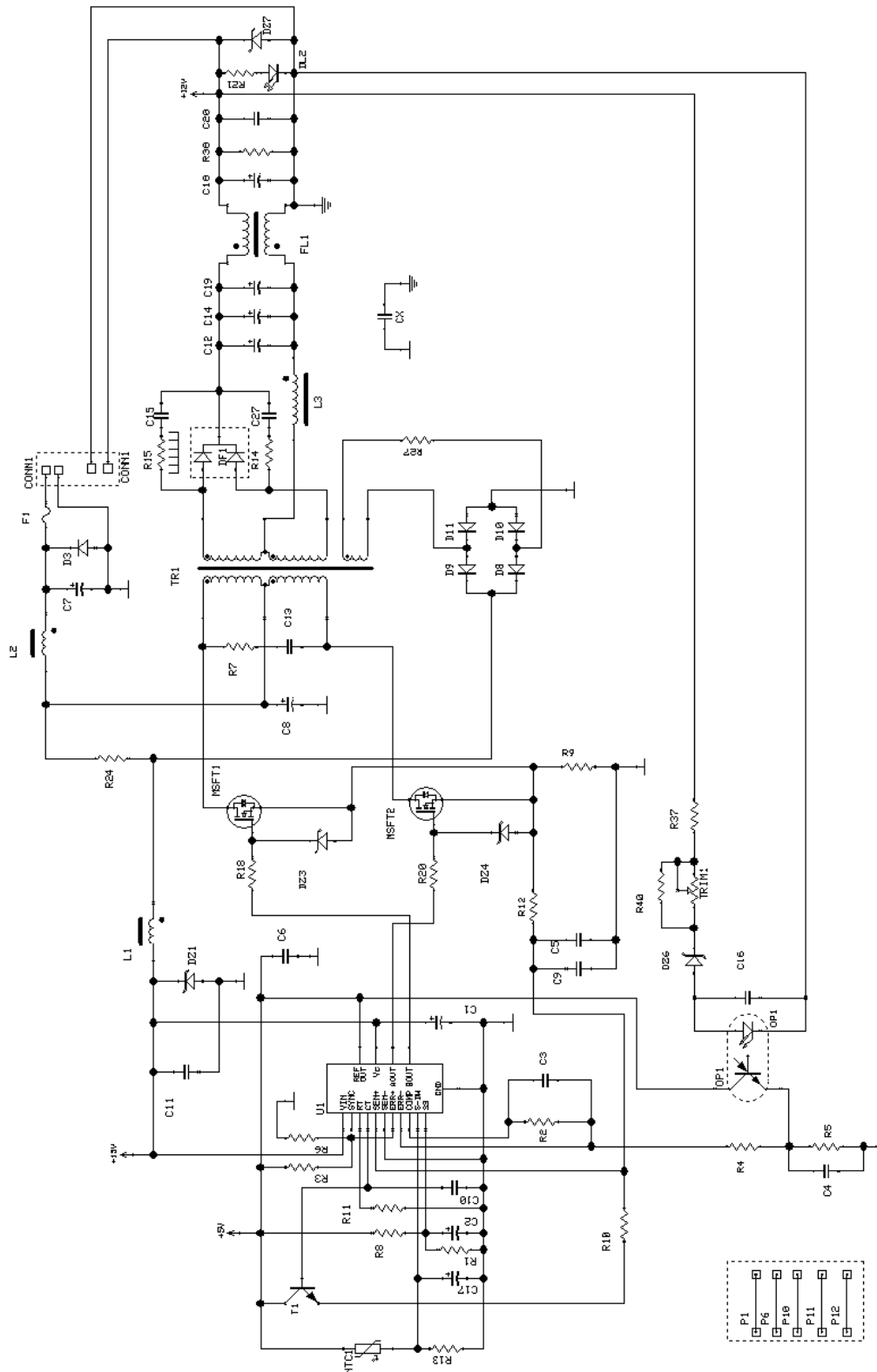
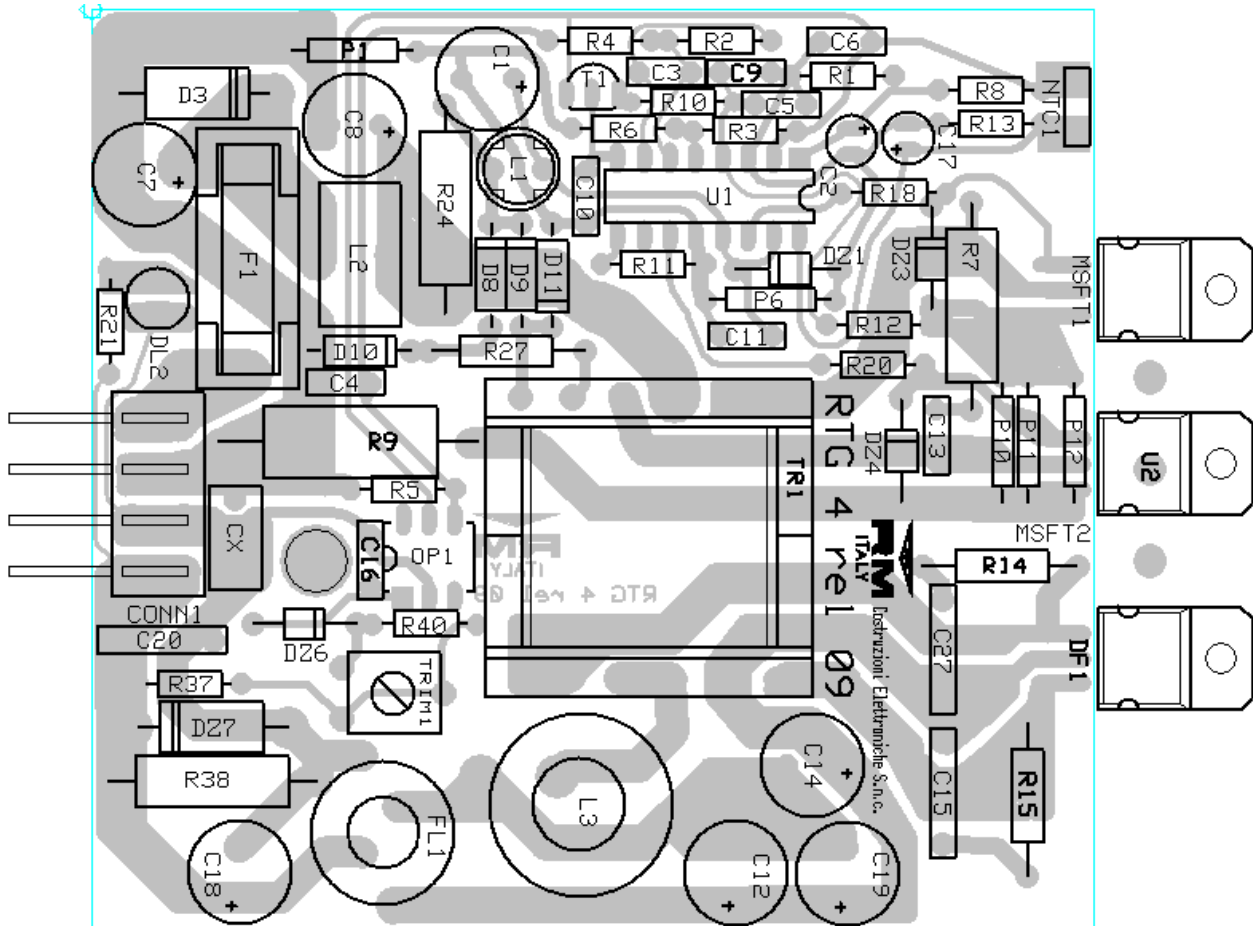


# Mod. RTG 04 tension reducer

Schematic diagram

Version 1.00





### List of components

C <sub>1</sub>	=	100 μF	25 V		R <sub>3</sub>	=	4,7 KΩ	¼ W
C <sub>2</sub>	=	10 μF	63 V		R <sub>4</sub>	=	22 KΩ	¼ W
C <sub>3</sub>	=	100 nF	50 V	Polyester	R <sub>5</sub>	=	1,0 KΩ	¼ W
C <sub>4</sub>	=	10 nF	50 V	Polyester	R <sub>6</sub>	=	4,7 KΩ	¼ W
C <sub>5</sub>	=	470 pF	50 V	Ceramic	R <sub>7</sub>	=	1,0 KΩ	1 W
C <sub>6</sub>	=	100 nF	50 V	Polyester	R <sub>8</sub>	=	4,7 KΩ	¼ W
C <sub>7</sub>	=	100 μF	35 V		R <sub>9</sub>	=	0,22 Ω	5 W
C <sub>8</sub>	=	100 μF	35 V		R <sub>10</sub>	=	3,9 KΩ	¼ W
C <sub>9</sub>	=	820 pF	50 V	Multilayer	R <sub>11</sub>	=	10 KΩ	¼ W
C <sub>10</sub>	=	1,0 nF	50 V	Polyester	R <sub>12</sub>	=	1,0 KΩ	¼ W
C <sub>11</sub>	=	100 nF	50 V	Polyester	R <sub>13</sub>	=	33 Ω	¼ W
C <sub>12</sub>	=	330 μF	25 V	105 °C	R <sub>14</sub>	=	10 Ω	1 W
C <sub>13</sub>	=	1,0 nF	1000 V	Ceramic	R <sub>15</sub>	=	10 Ω	1 W
C <sub>14</sub>	=	330 μF	25 V	105 °C	R <sub>18</sub>	=	10 Ω	¼ W
C <sub>15</sub>	=	2,2 nF	1000 V	Polyester	R <sub>19</sub>	=	470 Ω	1 W
C <sub>16</sub>	=	10 nF	50 V	Polyester	R <sub>21</sub>	=	1,0 KΩ	¼ W
C <sub>17</sub>	=	10 μF	63 V		R <sub>24</sub>	=	330 Ω	2 W
C <sub>18</sub>	=	330 μF	25 V	105 °C	R <sub>27</sub>	=	10 Ω	1 W
C <sub>19</sub>	=	330 μF	25 V	105 °C	R <sub>37</sub>	=	180 Ω	¼ W
C <sub>20</sub>	=	220 nF	100 V	Polyester	R <sub>38</sub>	=	220 Ω	2 W
C <sub>27</sub>	=	2,2 nF	1000 V	Polyester	R <sub>40</sub>	=	1,0 KΩ	¼ W
C <sub>x</sub>	=	2,2 nF	250 V Y1		TRIM <sub>1</sub>	=	4,7 KΩ	PT10
R <sub>1</sub>	=	47 KΩ	¼ W		P <sub>1</sub> = P <sub>6</sub> = P <sub>10</sub> = P <sub>11</sub> = P <sub>12</sub>	=	Bridge 0 Ω	
R <sub>2</sub>	=	100 KΩ	¼ W		D <sub>3</sub>	=	1N 5408	
					D <sub>8</sub>	=	BYV26E	

D<sub>9</sub> = BYV26E  
D<sub>10</sub> = BYV26E  
D<sub>11</sub> = BYV26E  
DF<sub>1</sub> = MBR 1545CT  
Dz<sub>1</sub> = 20 V 1,3 W  
Dz<sub>3</sub> = 15 V 1,3 W  
Dz<sub>4</sub> = 15 V 1,3 W  
Dz<sub>6</sub> = 10 V 1,3 W  
Dz<sub>7</sub> = 18 V 5 W  
DL<sub>2</sub> = Green LED  
Op<sub>1</sub> = CNY-17  
U<sub>1</sub> = UC3846  
T<sub>1</sub> = BC 337  
MSFT<sub>1</sub> = IRF 540  
MSFT<sub>2</sub> = IRF 540  
Fuse<sub>1</sub> = Fuse 3 A  
Tr<sub>1</sub> = EFD30-PP  
L<sub>1</sub> = 1 mH  
L<sub>2</sub> = 100 μH  
L<sub>3</sub> = 110 μH 4A  
FL<sub>1</sub> = 2 x 25 μH  
NTC<sub>1</sub> = 4,7 KΩ