

OMNI UMTS SCO-2-6

UHF Base Station Antenna 1920 - 2170 MHz

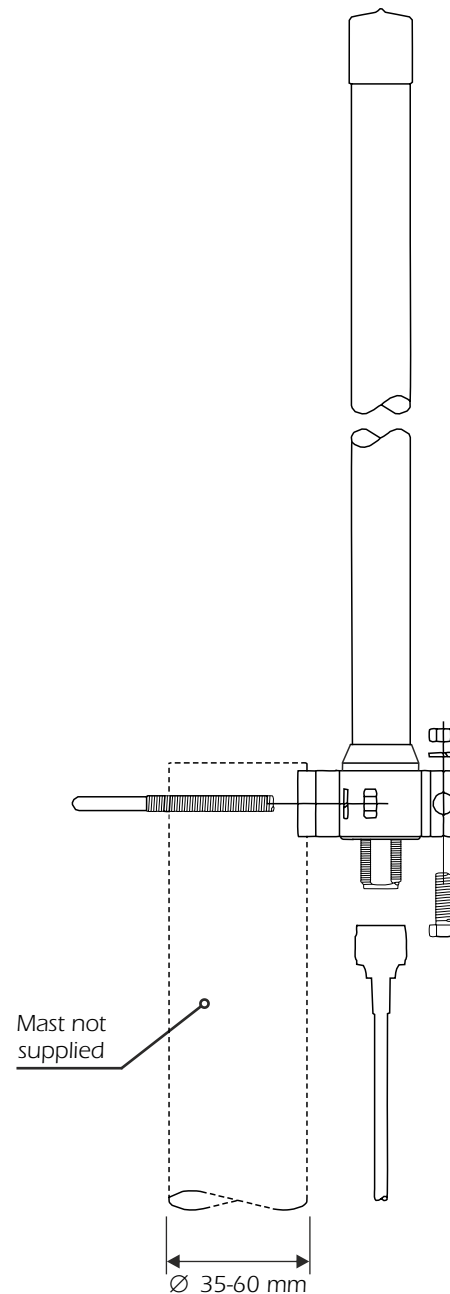


SPECIFICATIONS

Electrical Data	
Type	3 x 1/2 λ Dipole array
Frequency Range @ SWR ≤ 2.6	1.92 - 2.17 GHz (UMTS)
Impedance	50 Ω
Radiation (H-plane)	360° omnidirectional
Radiation (E-plane) Beamwidth @ -3 dB	27° @ 2.045 GHz
Radiation angle deg.	0°
Polarization	Linear Vertical
Gain	6 dBi
Max Power (CW) @ 30° C	20 Watts
Grounding Protection	All metal parts are DC-grounded, the inner conductor shows a DC-short
Connector	N-female, gold plated pin

Mechanical Data	
Housing & Radome Material	Fiberglass, Chromed Brass, PCB
Bracket & Hardware Material	Aluminium, Stainless steel
Wind Load / Resistance	10 N @ 150 Km/h / 200 Km/h; 124 mi/h
Wind Surface	0.01 m ² ; 0.11 ft ²
Height (approx.)	400 mm, 1.3 ft
Weight (approx.)	380 gr, 0.8 lb
Operating Temperature	-20 °C to +80 °C
Ingress protection	IP 66
Installation type	Mast: Ø 35-60 mm.; Ø 1.4-2.4 in with V-bolt

MOUNTING INSTRUCTIONS



Fixing bracket:



Bracket part list

Q.ty	Description
1	Extruded aluminium bracket
1	M6x206 V-bolt
1	M6x20 Exagonal head screw
3	M6 Spring lock washer
3	M6 Hexagonal nut
Materials:	extruded aluminum
Hardware:	stainless steel
Dimensions:	80 x 65 x 25 mm
Weight:	110 g

Re-order code: P/N SA303