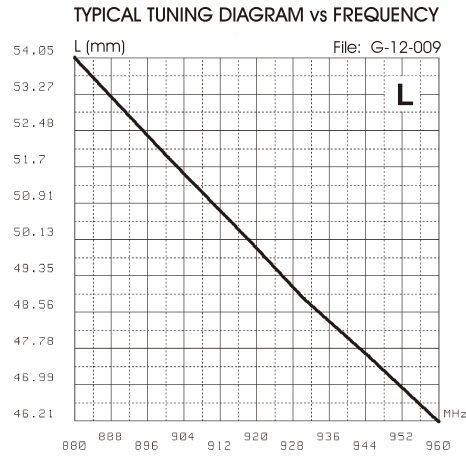
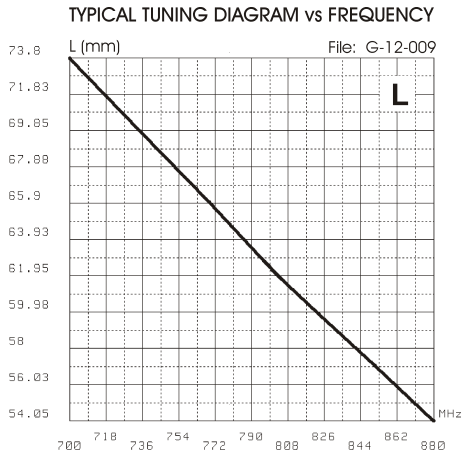
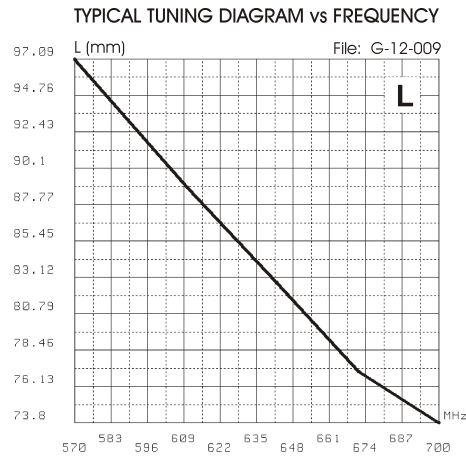
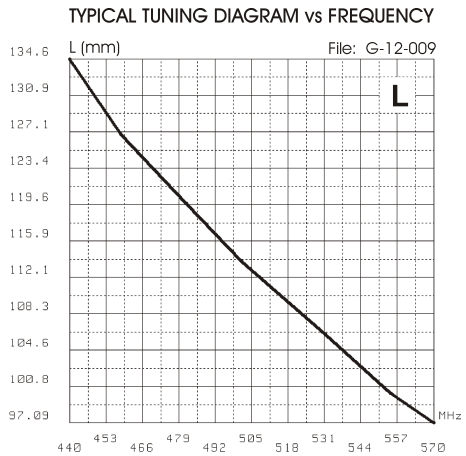
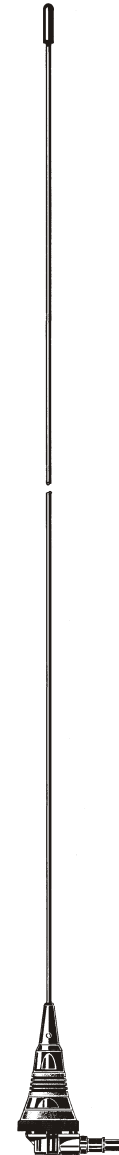
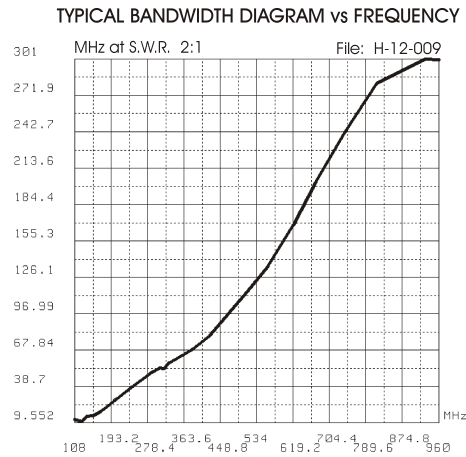
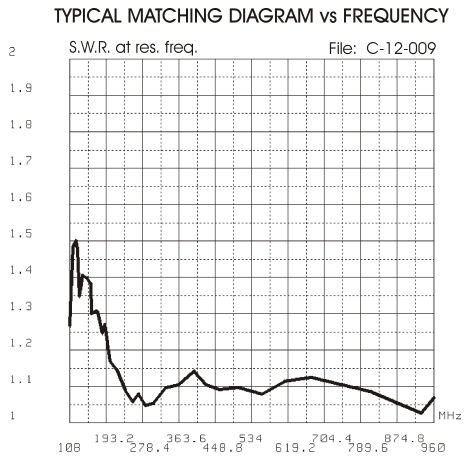


SKB 108-960

VHF Mobile Antenna 108...960 MHz Stainless steel whip



MATCHING & BANDWIDTH DIAGRAMS



Installation Manual

DESCRIPTION

1/4 λ mobile antenna covering the frequency range of 108...960 MHz by using the enclosed cutting diagram. It is made of 17/7 PH stainless steel and supplied with "ML" (Micro Line) mount of small dimensions. It's available with its magnet mount for a temporary installation on the vehicle.

SPECIFICATIONS

Electrical Data

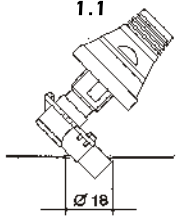
Type	: 1/4 λ
Frequency Range	: from 108 to 960 MHz tunable by cutting
Impedance	: 50 Ω
Radiation	: Omnidirectional
Polarization	: Vertical
Gain	: 0 dB ref. to a $\lambda/4$ whip
Bandwidth @ SWR \leq 2	: see diagram
SWR @ res. freq.	: see diagram
Max Power	: 100 Watts for 108...550 MHz; 30 Watts for 550...960 MHz
Feed System / Position	: Direct / Base
Standard Mount	: "ML", mounting hole \varnothing 14 or 18 mm, cable 5m RG 58

Mechanical Data

Materials	: Stainless steel 17/7 PH, Chromed Brass
Height (approx.)	: 700 mm
Weight (approx.)	: 280 gr

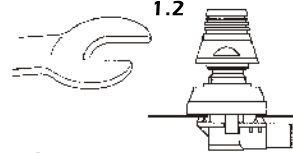
MOUNT INSTALLATIONS

1.1



\varnothing 18

1.2



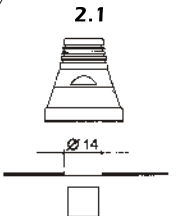
Mounting from the outside

1.1 Drill a 18 mm hole, deburr it and protect it against corrosion. Loose part **B**, push it upwards together with part **C** and hold it tightly.

1.2 Insert the base into the mounting hole and decentralize it. Insert the plastic fish-plates **D** of part **C** into the hole. Screw on part **B** with a 20 mm open-end wrench.

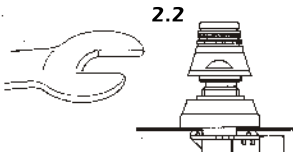
The ring nut B is tightened correctly, if the upper edge of part A is at the same height as the inner thread-bolt

2.1



\varnothing 14

2.2



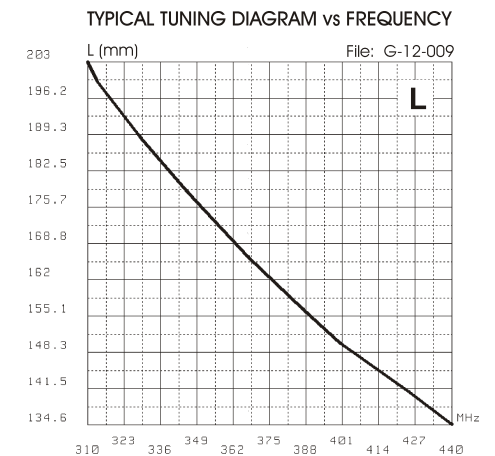
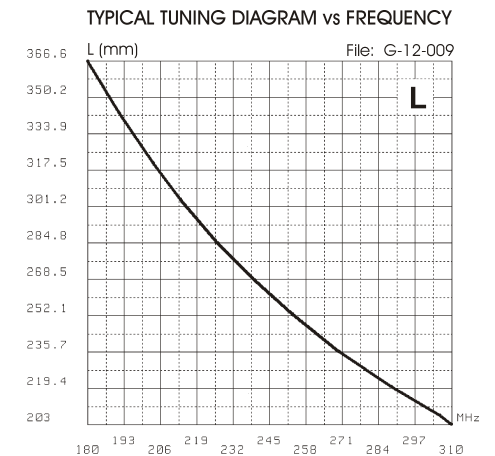
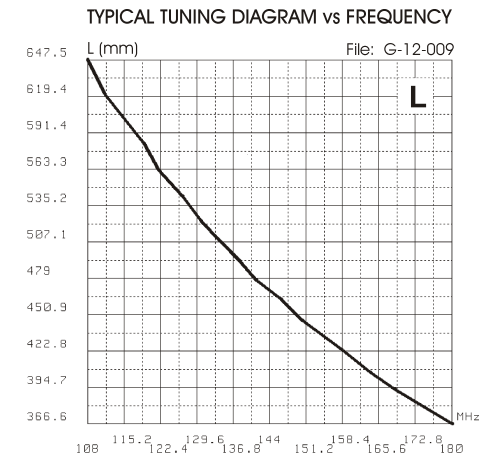
Mounting from the inside

2.1 Drill a 14 mm hole, deburr it and protect against corrosion. Loose part **B** and use the item **E**. Insert from below part **F** into the hole up to the stop.

2.2 Push part **A, B** and **E** from above and screw them on with a 20 mm open-end wrench.

Part B is tightened correctly, if the upper edge of part A is at the same height as the inner thread-bolt.

TUNING INSTRUCTIONS

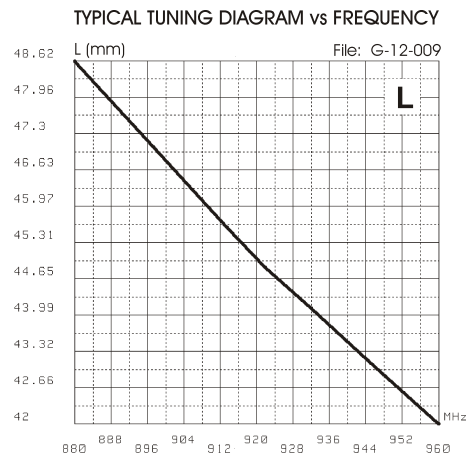
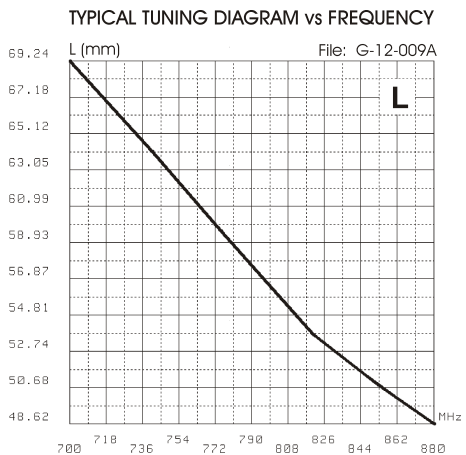
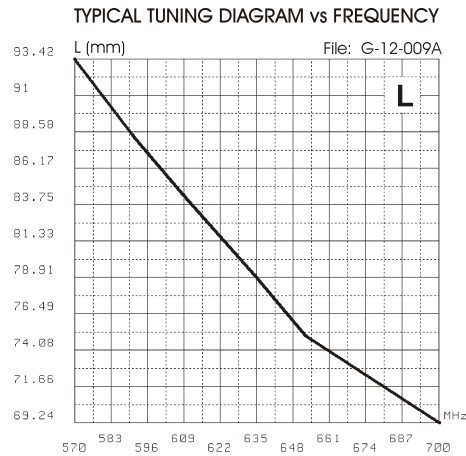
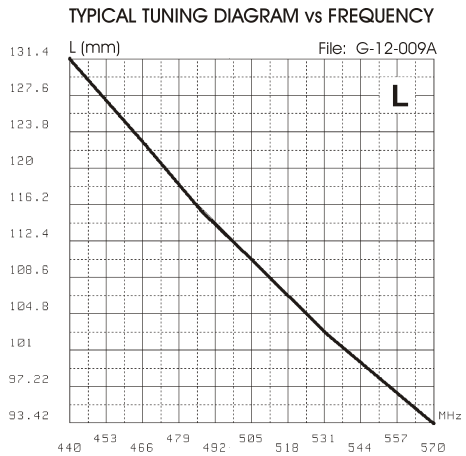


NOTE:

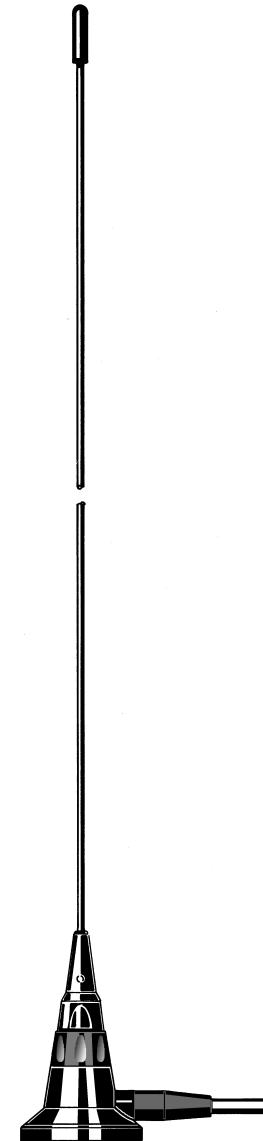
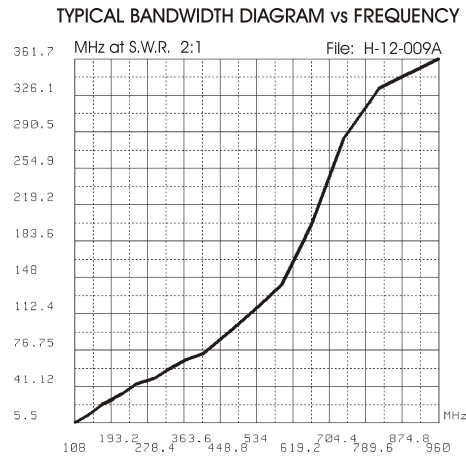
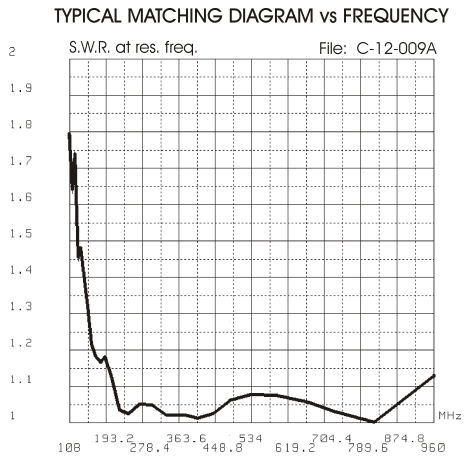
- Use the curves just as a guide. For fine-tuning please use an SWR-Meter.

SKB 108-960 MAG

VHF Mobile Antenna 108...960 MHz Stainless steel whip



MATCHING & BANDWIDTH DIAGRAMS



Installation Manual

DESCRIPTION

1/4 λ mobile antenna covering the frequency range of 108...960 MHz by using the enclosed cutting diagram. It is made of 17/7 PH stainless steel and supplied with "CELL MAG", the small magnet mount for temporary installation on the vehicle.

SPECIFICATIONS

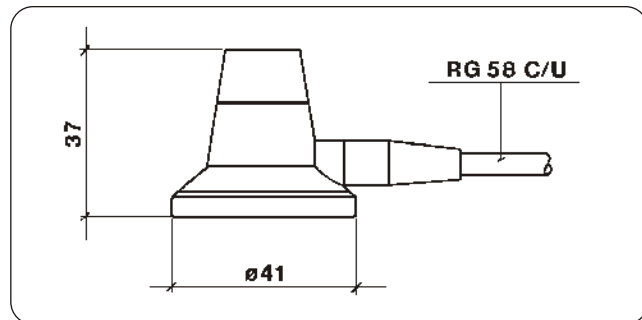
Electrical Data

Type	: 1/4 λ
Frequency Range	: from 108 to 960 MHz tunable by cutting
Impedance	: 50 Ω
Radiation	: Omnidirectional
Polarization	: Vertical
Gain	: 0 dB ref. to a $\lambda/4$ whip
Bandwidth @ SWR \leq 2	: see diagram
SWR @ res. freq.	: see diagram
Max Power	: 100 Watts for 108...550 MHz; 30 Watts for 550...960 MHz
Feed System / Position	: Direct / Base
Standard Mount	: "CELL MAG", magnetic mount, cable 3m RG 58, FME-female

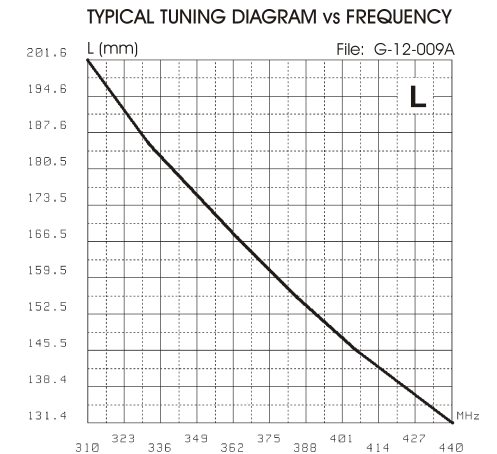
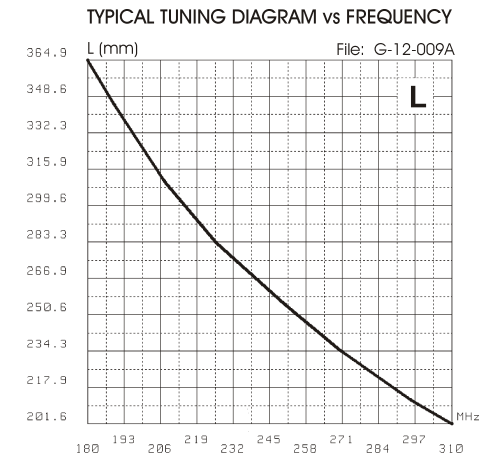
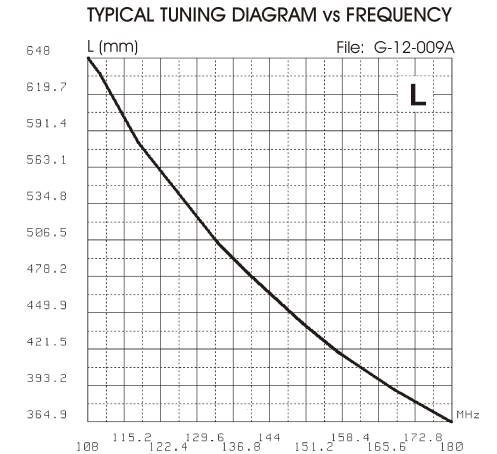
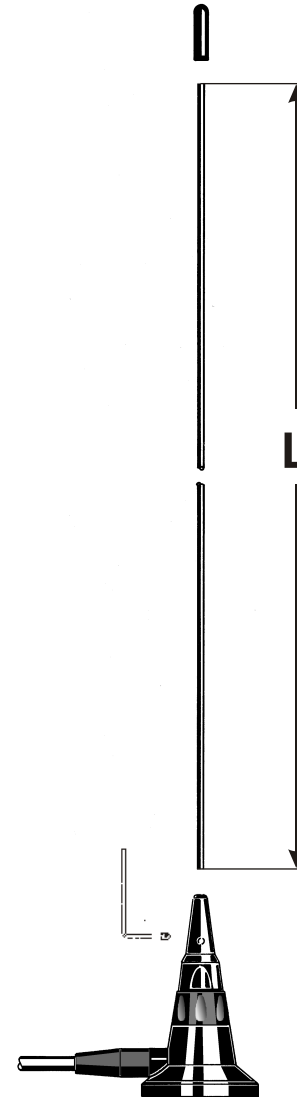
Mechanical Data

Materials	: Stainless steel 17/7 PH, Chromed Brass, Nylon
Height (approx.)	: 700 mm
Weight (approx.)	: 315 gr

MOUNT DIMENSIONS



TUNING INSTRUCTIONS



NOTE:

- Use the curves just as a guide. For fine-tuning please use an SWR-Meter.



SIRIO
antenne

HI-QUALITY ANTENNAS MADE IN ITALY