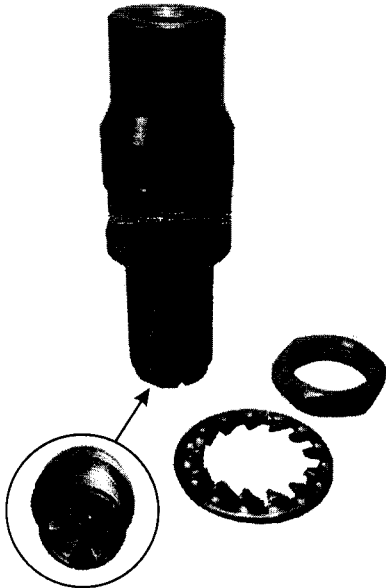


CB-HDS

3/8"-24 Heavy Duty Stud
with SO-239 connector

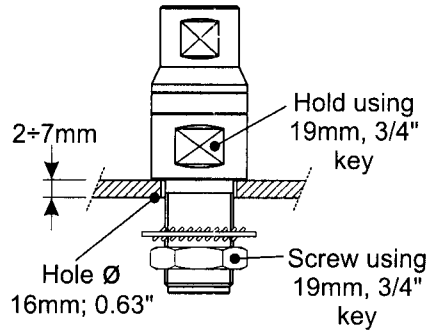
- CB Heavy-Duty antenna stud
- Nickel Plated brass construction
- Fits 16mm/0.63" hole
- Fixing thickness from 2 to 7 mm



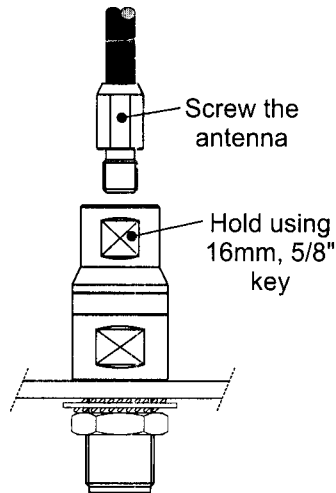
SO-239
for PL-259
connection

MOUNTING INSTRUCTIONS

1st STEP: Mount on bracket



2nd STEP: Mount the antenna



HI-QUALITY ANTENNAS MADE IN ITALY